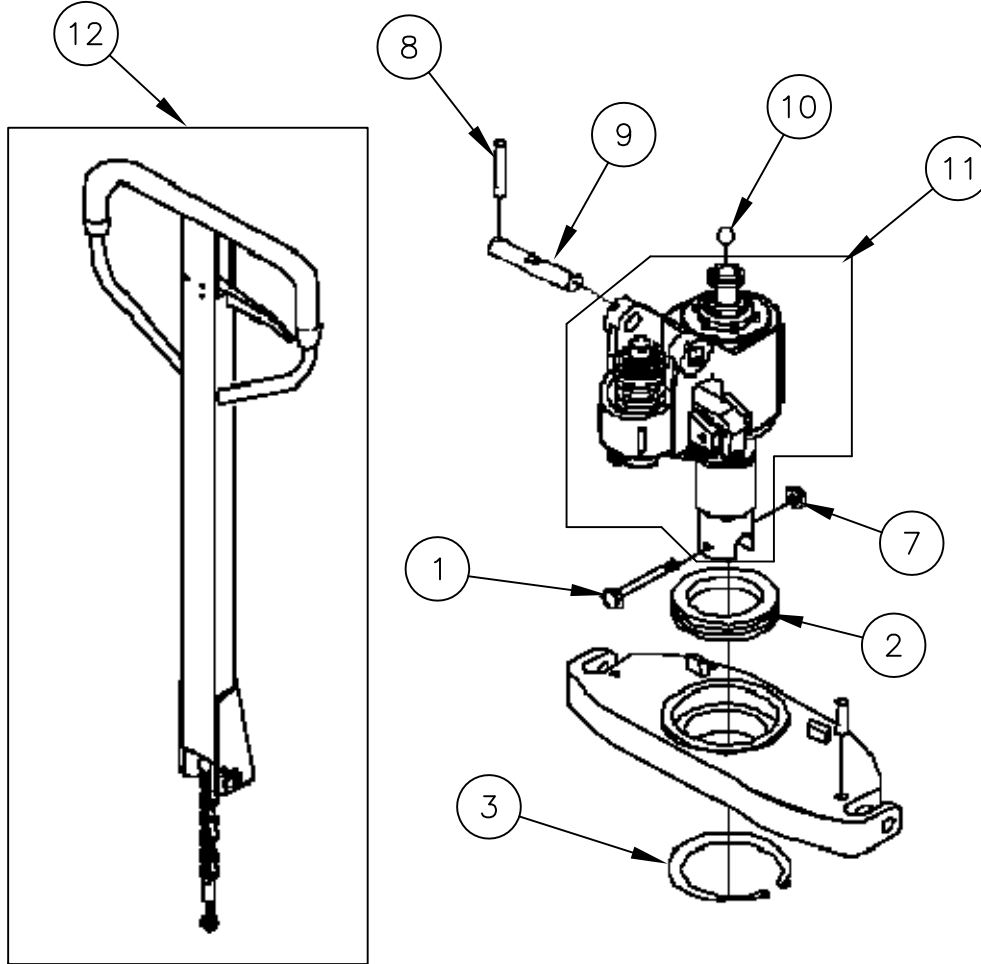
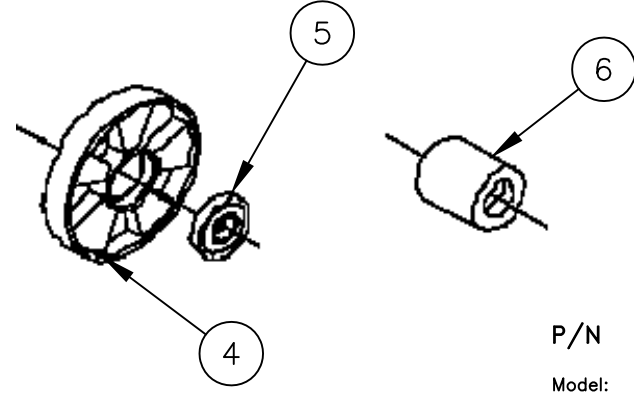


272152

****FOR UNITS BOUGHT AFTER 2016****
 (FOR UNITS BEFORE 2017 SEE PAGES 2-4)



REPLACEMENT PARTS LIST				
ITEM	PART NO.	DESCRIPTION	MATERIAL	QTY.
1	273780	BOLT	304 STAINLESS	2
2	273782	PUMP BASE BEARING	304 STAINLESS	1
3	273783	RETAINING RING	304 STAINLESS	1
4	273784	STEERING WHEEL	NYLON	2
5	273785	WHEEL BEARING	304 STAINLESS	1
6	273786	LOAD WHEEL	NYLON	1
7	273781	NUT	304 STAINLESS	1
8	273789	SPRING PIN	304 STAINLESS	2
9	273790	HANDLE CONNECTING SHAFT	304 STAINLESS	1
10	273791	BALL	304 STAINLESS	1
11	273787	COMPLETE PUMP ASSEMBLY	304 STAINLESS	1
12	273788	COMPLETE HANDLE ASSEMBLY	304 STAINLESS	1



STAINLESS STEEL PALLET TRUCK

- Pump, load wheels and steering same as CPI model.
- Overload bypass.
- 1 year pump warranty.
- 7" moldon polyurethane steering wheels.
- 3" moldon polyurethane load wheels.
- 48" long forks.

P/N 272152

Model: SSPT
 Capacity: 5,500 lbs
 Overall Height: 48"
 Overall Length: 63"
 Overall Width: 27"
 Raised Height: 8"
 Lowered Height: 3"
 Fork Length: 48"
 Fork Width: 6.25"
 Steering Wheel Diameter: 7"
 Load Wheel Diameter: 3"
 Weight: 172 lbs

THIS DRAWING IN ALL PARTICULARS IS WESCO INDUSTRIAL PRODUCTS INC. PROPERTY. ALL RIGHTS OF DESIGN, INVENTION OR USE OF ARE RESERVED.

PRINT ISSUED

NOV-30-2016

WESCO MANUFACTURING
 ENGINEERING DEPARTMENT

APP
 ECN & DATE
 REV.

REVISIONS

WESCO INDUSTRIAL PRODUCTS INC.

NORTH WALES

PENNA. 19454

PART NAME
 STAINLESS STEEL PALLET TRUCK
 SPECIALITY PALLET TRUCK

DRAWN:

CHECKED:

APP. ENGR.

SCALE:

TOLERANCE UNLESS OTHERWISE SPECIFIED

FRACTION 3 PLACE DECIMAL 2 PLACE DECIMAL

± 1/64 ± .005 ± .01

ANGULAR ± 1-1/2" SHEET 1 OF 4

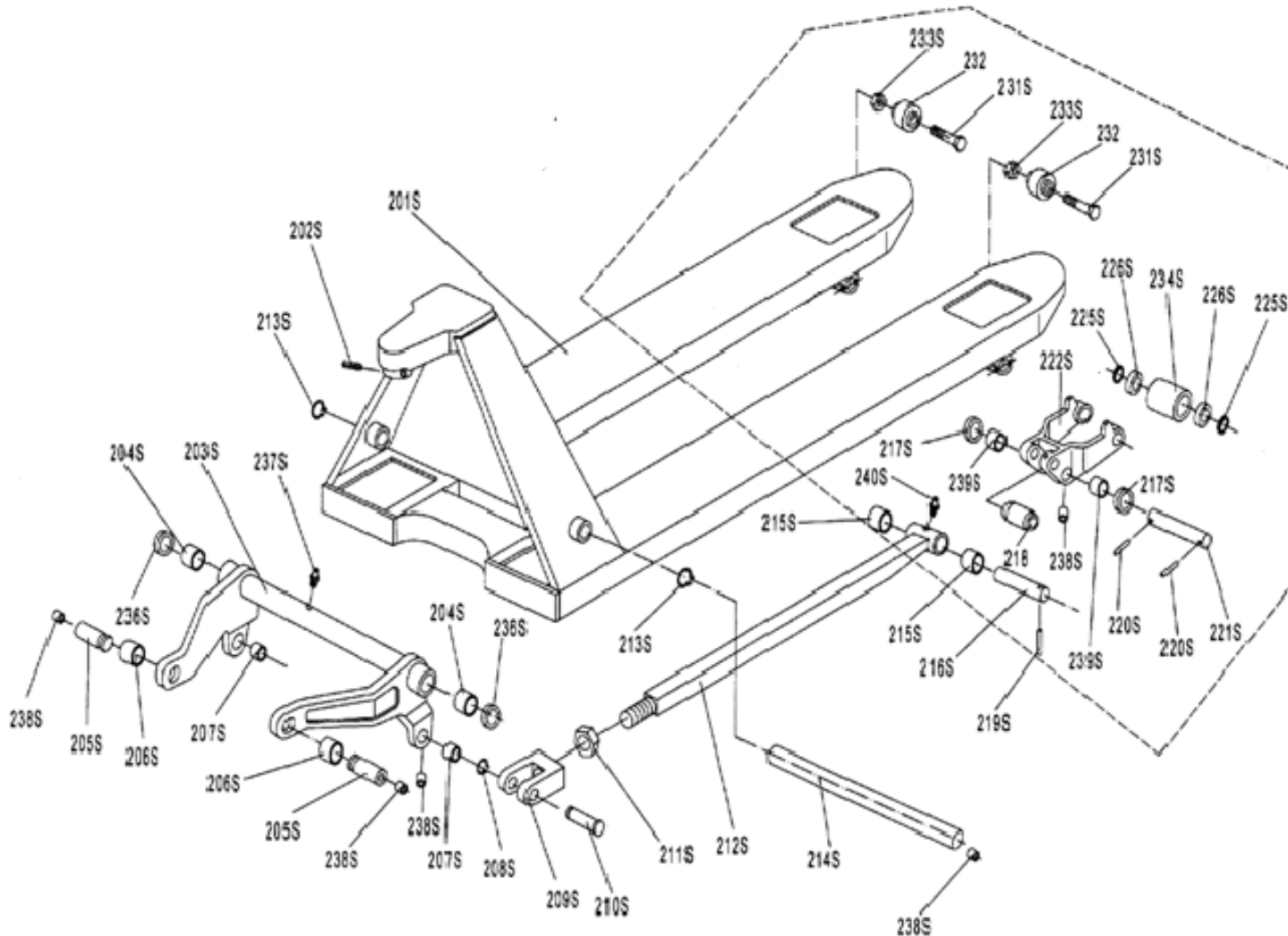
BREAK ALL SHARP EDGES AND REMOVE ALL BURRS

A-272152

REV

A

****FOR UNITS BOUGHT BEFORE 2017****



REPLACEMENT PARTS LIST

P/N	ITEM	DESCRIPTION	QTY
	201S	FORK FRAME	1
	202S	ELASTIC PIN	1
273625	203S	ROCK-ARM	1
273626	204S	BUSHING	2
273627	205S	SHAFT	2
273628	206S	BUSHING	2
273629	207S	BUSHING	2
	208S	RETAINING RING	2
	209S	JOINT	2
	210S	PIN	2
	211S	NUT	2
	212S	PUSHING ROD	2
	213S	RETAINING RING	2
	214S	SHAFT	1
	215S	BUSHING	4
	216S	SHAFT	2
273765	217S	INTERMEDIATE ROLLER	4
	218S	EXTENDING ROLLER	2
	219S	ELASTIC PIN	2
	220S	ELASTIC PIN	4
	221S	SHAFT	2
273679	222S	FRAME OF ROLLER	2
273672	225S	WASHER	4
273504	226S	BEARING	4
273671	230S	ELASTIC PIN	2
272331	231S	BOLT	2
272327	232S	ENTRY ROLLER	2
272326	233S	LOCKING NUT	2
273503	234S	LOADING WHEEL	2
273670	235S	SHAFT FOR WHEEL	2
	236S	WASHER	2
	237S	GREASE CUP	1
	238S	GREASE CUP	8
272139	239S	BUSHING	4
	240S	GREASE CUP	2

PRINT ISSUED

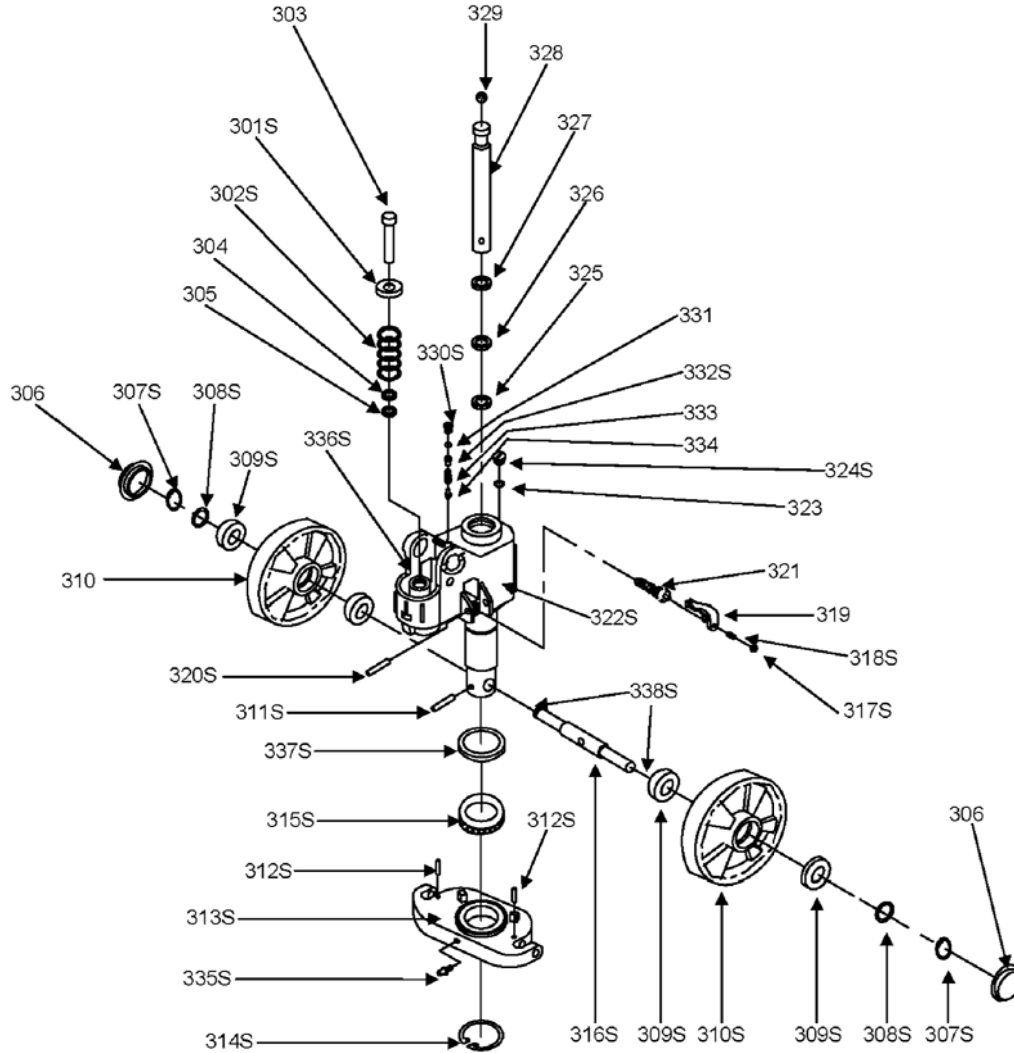
DEC 23, 2014

WESCO MANUFACTURING
ENGINEERING DEPARTMENT

WESCO INDUSTRIAL PRODUCTS INC.
NORTH WALES PENNA. 19454

REV. REV REV REV REV	PART NAME		DRAWN:	
	STAINLESS STEEL PALLET TRUCK		CHECKED:	
	SPECIALITY PALLET TRUCK		APP. ENGR.	
	TOLERANCE UNLESS OTHERWISE SPECIFIED		SCALE:	
FRACTION		3 PLACE DECIMAL	2 PLACE DECIMAL	
± 1/64		± .005	± .01	
ANGULAR ± 1-1/2°		SHEET 2	OF 3	
BREAK ALL SHARP EDGES AND REMOVE ALL BURRS				D-272152 REV

****FOR UNITS BOUGHT BEFORE 2017****



REPLACEMENT PARTS LIST

P/N	ITEM	DESCRIPTION	QTY
272133		REPLACEMENT PUMP	1
270061		SEAL KIT	1
273524	301S	SPRING CAP	1
273506	302S	SPRING	1
	303	PUMP PISTON	1
	304	DUST RING	1
	305	SEAL	1
272793	306	DUST COVER (WHITE)	2
273673	307S	LOCKING RING	2
273674	308S	WASHER	2
273502	309S	BEARING	4
273501	310	STEERING WHEEL	2
	311S	ELASTIC PIN	1
273735	312S	ELASTIC PIN	2
273736	313S	THRUST PLATE	1
273737	314S	RETAINING RING	1
272137	315S	BEARING	1
	316S	SHAFT OF LOADING WHEEL	1
	317S	NUT	1
	318S	SCREW	1
	319S	LEVER PLATE	1
	320S	ELASTIC PIN	1
273621	321	VALVE CARTRIDGE	1
	322S	PUMP BODY	1
	323	SEAL WASHER	1
	324S	SCREW PLUG	1
	325	SEAL	1
	326	O-RING	1
	327	DUST RING	1
273622	328	PISTON ROD	1
270059	329	BALL	1
	330S	SCREW PLUG	1
	331	O-RING	1
	332S	BOLT	1
	333	SPRING	1
	334	SPINDLE OF SAFETY VALVE	1
273738	335S	GREASE CUP	1
273558	336S	CYLINDER	1
272138	337S	COVER OF BEARING	1
	338S	GREASE CUP	2

PRINT ISSUED

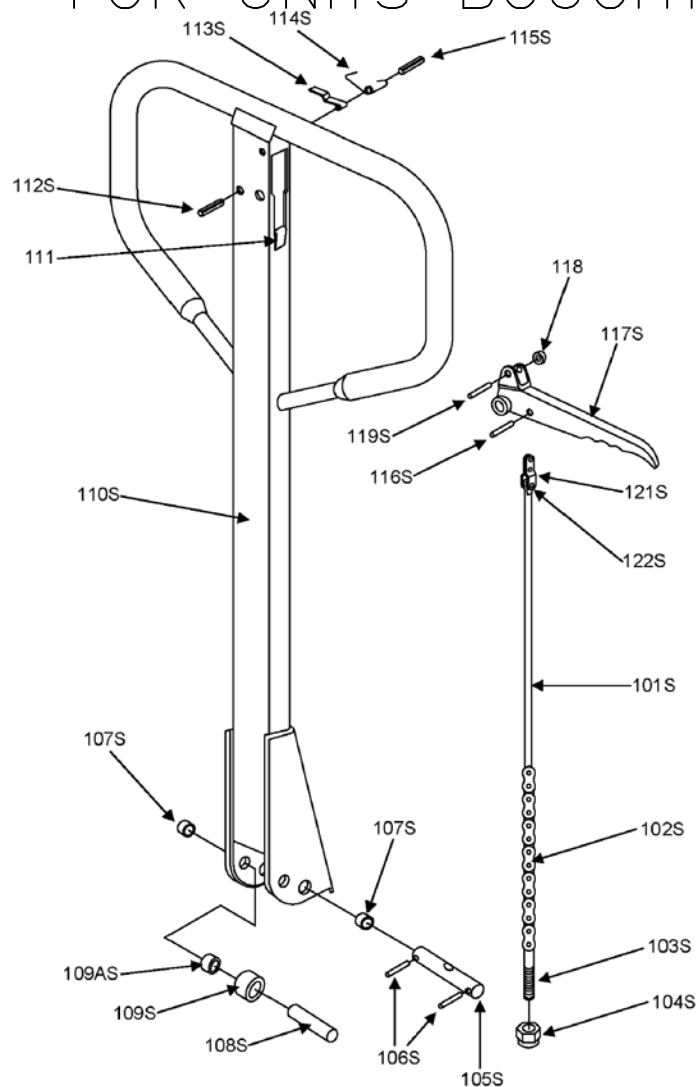
DEC 23, 2014

WESCO MANUFACTURING
ENGINEERING DEPARTMENT

WESCO INDUSTRIAL PRODUCTS INC.
NORTH WALES PENNA. 19454

REV. REV. REV. REV.	PART NAME	STAINLESS STEEL PALLET TRUCK	DRAWN:	
		SPECIALTY PALLET TRUCK	CHECKED:	
	TOLERANCE UNLESS OTHERWISE SPECIFIED		APP. ENGR.	
	FRAC TION	3 PLACE DECIMAL	2 PLACE DECIMAL	SCALE:
	± 1/64	± .005	± .01	
	ANGULAR ± 1-1/2°	SHEET 3 OF 3		
	BREAK ALL SHARP EDGES AND REMOVE ALL BURRS			D-272152

FOR UNITS BOUGHT BEFORE 2017



STAINLESS STEEL PALLET TRUCK

- Pump, load wheels and steering same as CPI model.
- Overload bypass.
- 1 year pump warranty.
- 7" moldon polyurethane steering wheels.
- 3" moldon polyurethane load wheels.
- 48" long forks.

P/N 272152

Model: SSPT
 Capacity: 4,400 lbs
 Overall Height: 48"
 Overall Length: 63"
 Overall Width: 27"
 Raised Height: 8"
 Lowered Height: 3"
 Fork Length: 48"
 Fork Width: 6.25"
 Steering Wheel Diameter: 7"
 Load Wheel Diameter: 3"
 Weight: 172 lbs

REPLACEMENT PARTS LIST

P/N	ITEM	DESCRIPTION	QTY
	101S	RELEASE ROD	1
	102S	CHAIN	1
	103S	ADJUSTING BOLT	1
	104S	ADJUSTING NUT	1
	105S	ELASTIC PIN	1
	106S	ELASTIC PIN	2
	107S	BUSHING	2
	108S	ROLLER PIN	1
	109S	PRESSURE ROLLER	1
	109AS	BUSHING	1
	110S	DRAW-BAR	1
	111	STOP RUBBER	1
	112S	ELASTIC PIN	1
	113S	BLADE SPRING	1
273505	114S	SPRING	1
	115S	ELASTIC PIN	1
	116S	ELASTIC PIN	1
	117S	CONTROL HANDLE	1
	118	ROLLER	1
	119S	ELASTIC PIN	1
	120S	SPRING	1
	121S	PULL BOARD	1
	122S	PIN	1

ASSEMBLIES OFFERED

273508	KIT	HANDLE RELEASE ASSEMBLY (INCLUDES ITEMS: 101S, 102S, 103S, 104S, 116S, 117S, 118, 119S, 121S, 122S)	1
273507	KIT	HANDLE ASSEMBLY (INCLUDES ITEMS: 105S, 106S, 107S, 109S, 110S, 111, 112S, 113S, 114S, 115S)	1

PRINT ISSUED

DEC 23, 2014

WESCO MANUFACTURING
ENGINEERING DEPARTMENT

WESCO INDUSTRIAL PRODUCTS INC.		NORTH WALES		PENNA. 19454	
REV.	EDN & DATE	PART NAME STAINLESS STEEL PALLET TRUCK SPECIALITY PALLET TRUCK		DRAWING: CHECKED: APP. ENGR.	
REVISIONS		TOLERANCE UNLESS OTHERWISE SPECIFIED		SCALE:	
		FRACTION	3 PLACE DECIMAL	2 PLACE DECIMAL	
		± 1/64	± .005	± .01	
		ANGULAR ± 1-1/2°	SHEET 1	OF 3	
		BREAK ALL SHARP EDGES AND REMOVE ALL BURRS			
		D-272152		REV	